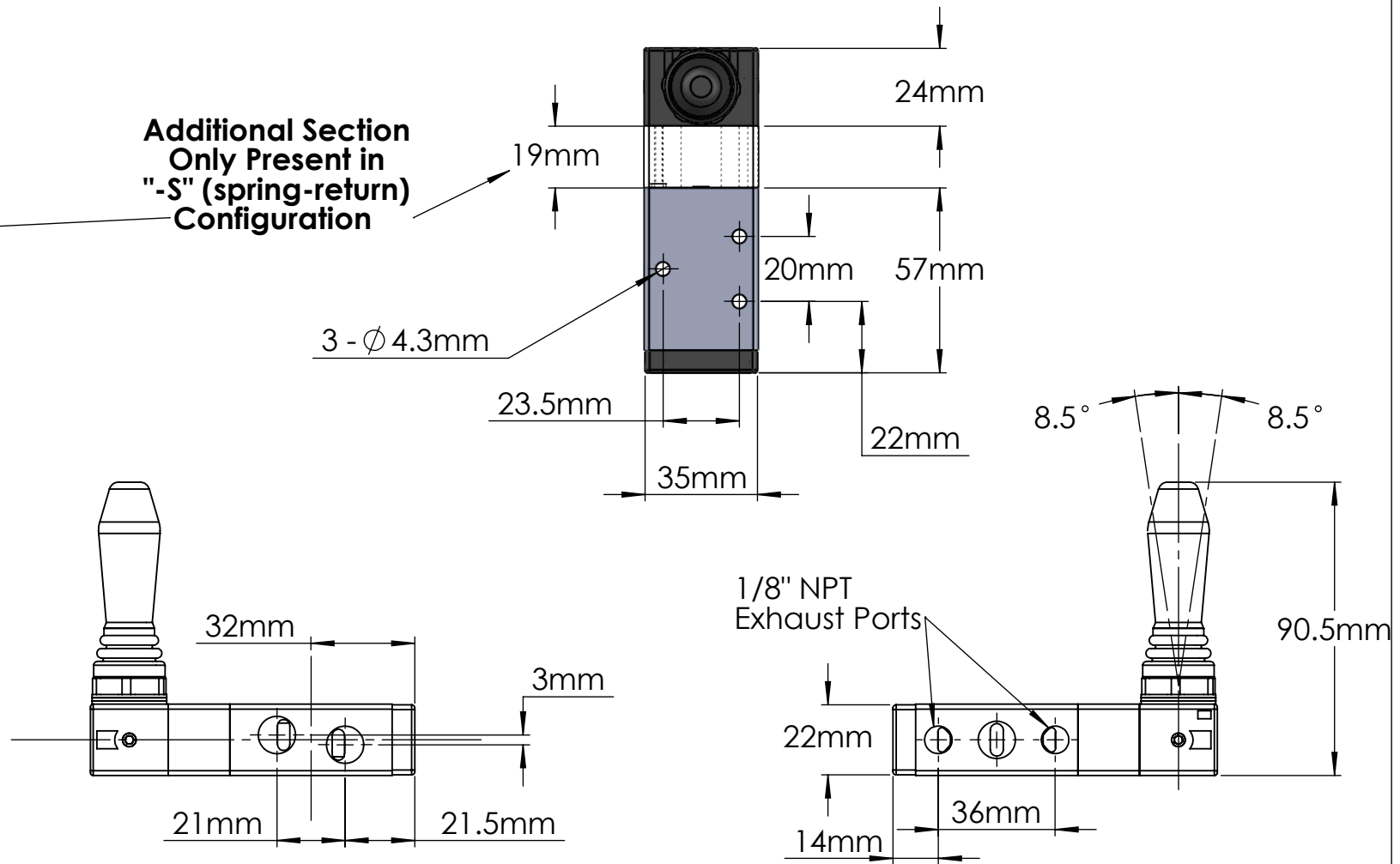


Updated Version

**Additional Section
Only Present in
"-S" (spring-return)
Configuration**



***NOTE: C = Closed Center, E = Exhaust Center, P = Pressure Center
M = Detented, S = Non-Detented (Spring Return)**



Part Number:

4H230(C/E/P)-(M/S)

4-Way, 5-Port, 3 Position*, Hand Lever Air Valve, 1/4" NPT

11x8.5

kfi