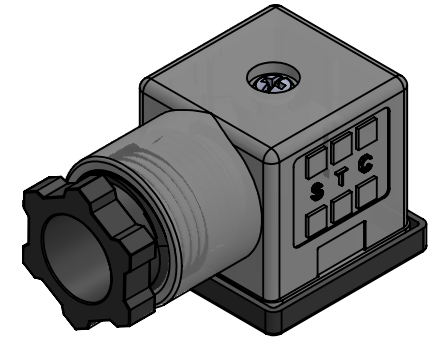
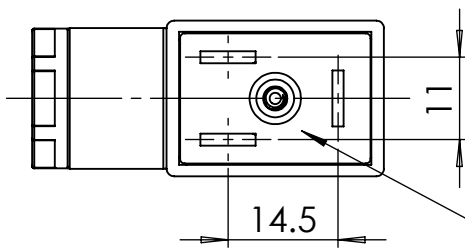
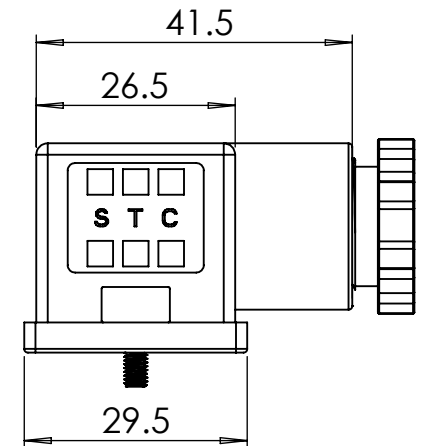
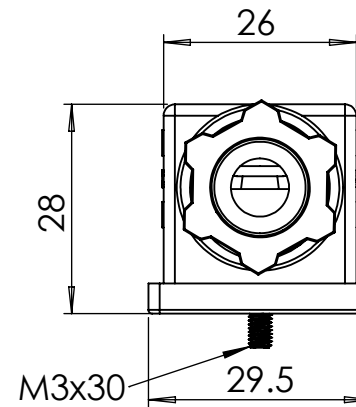
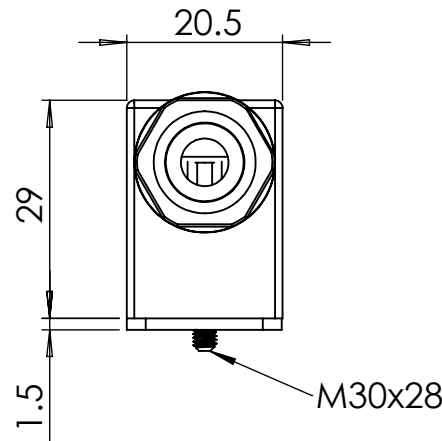
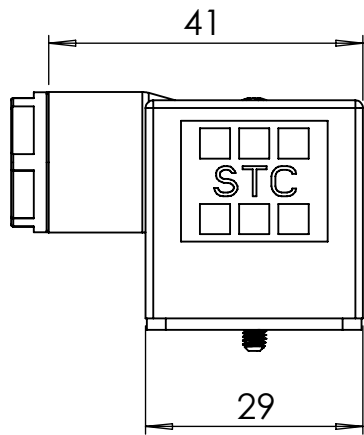


200C-DIN

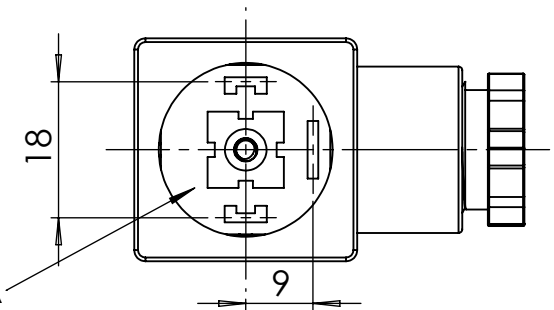
General Specifications	
Form	2+1GND
Protection Class	IP65
Max Nominal Current	10A
Contact Resistance	≤ 5mΩ
Max. Voltage	AC: 250V DC: 300V
Max Conductor Section:	(3) 16AWG



2W200C-DIN



DIN 43650B



DIN 43650A



Part Number:

200C-DIN, 2W200C-DIN

Standard DIN Connectors

11x8.5

kfi