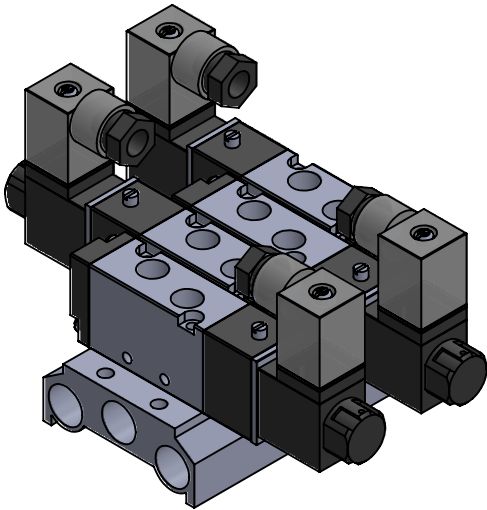
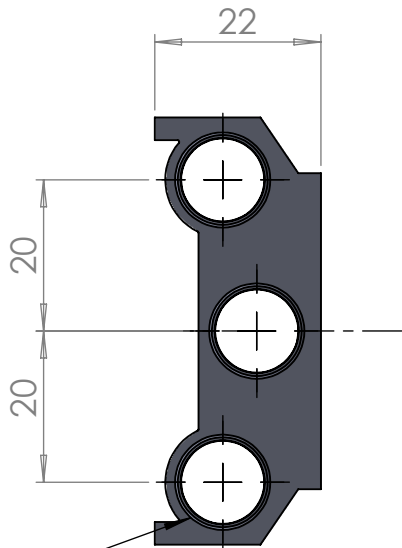


X = Number of Stations

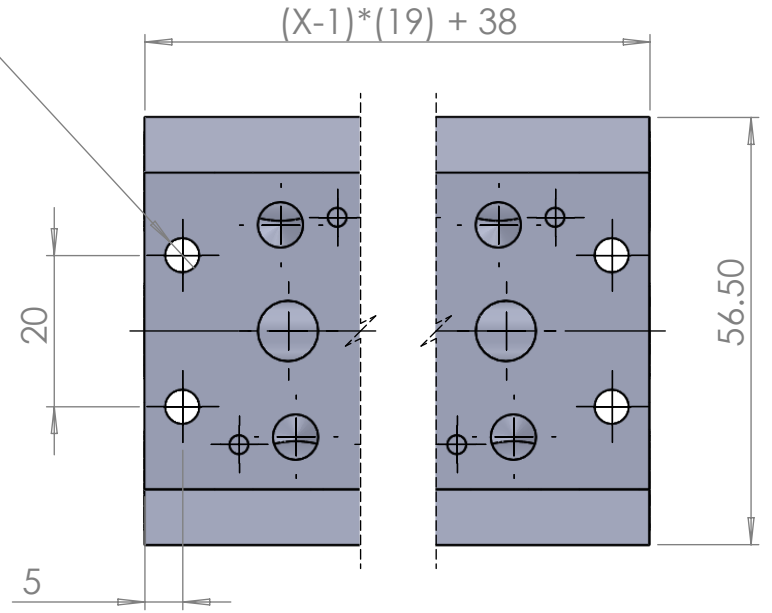


N.T.S.

Ø4.50, typ.
Mounting Holes (X4)



1/4" NPT



Part Number:

4V-100M-[X]

Manifold for 4V100 Series Solenoid Valves

11x8.5

kfi