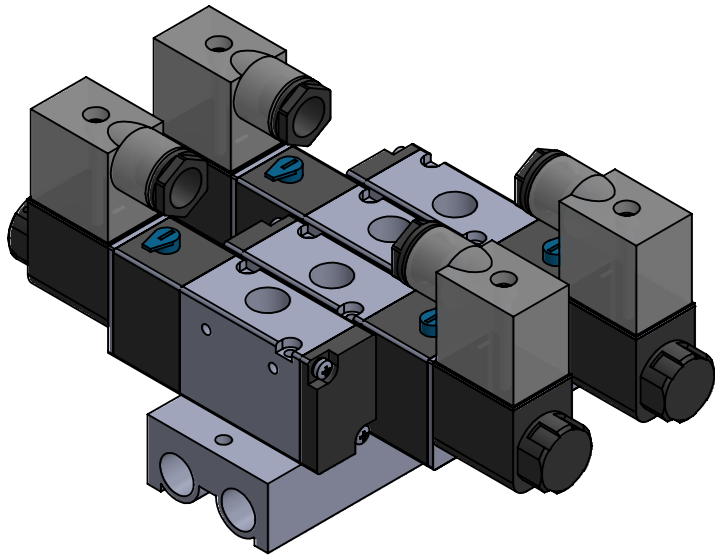
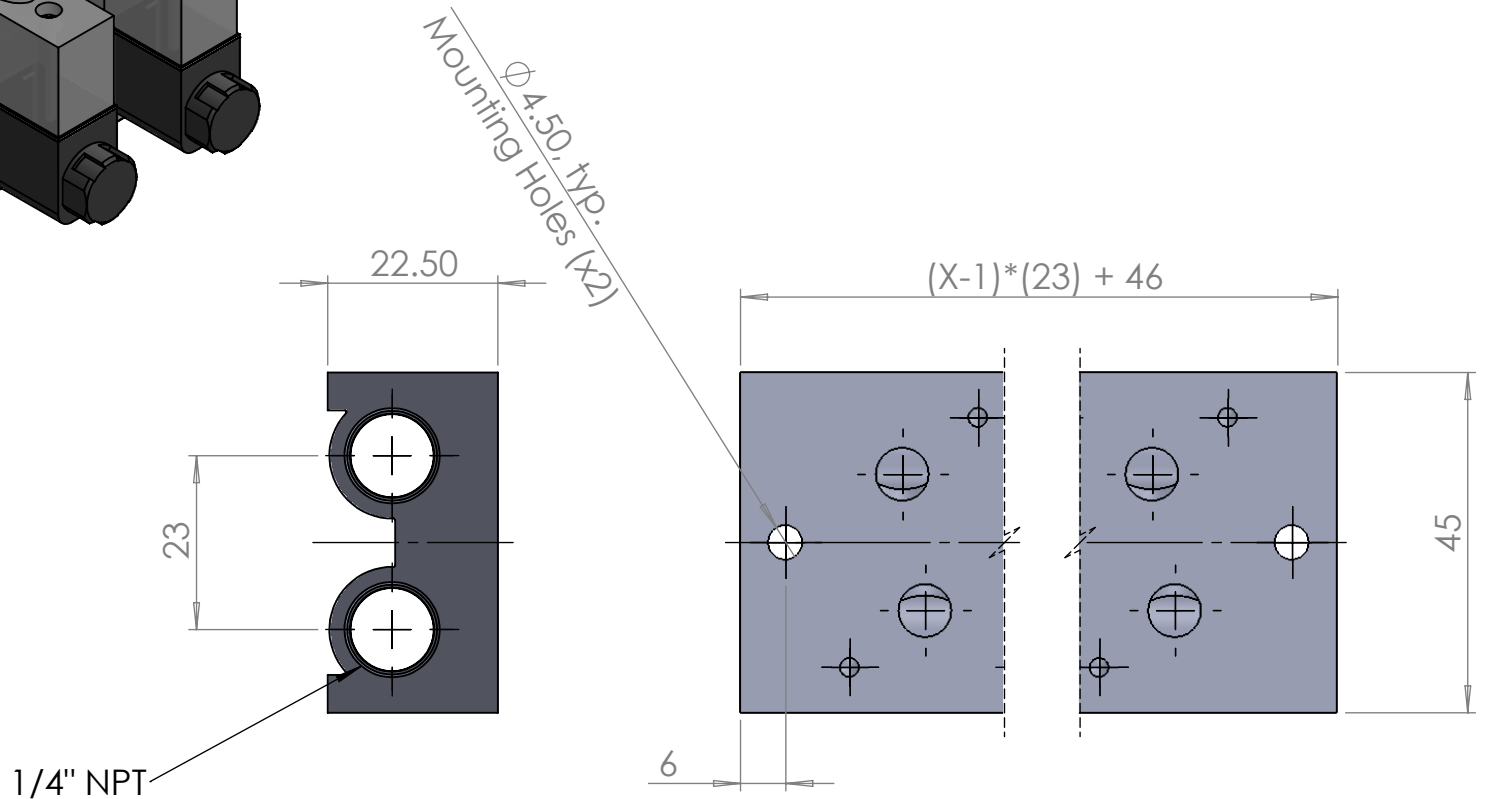


X = Number of Stations



N.T.S.



Part Number:

3V-200M-[X]

Manifold for 3V200 Series Solenoid Valves

11x8.5

kfi